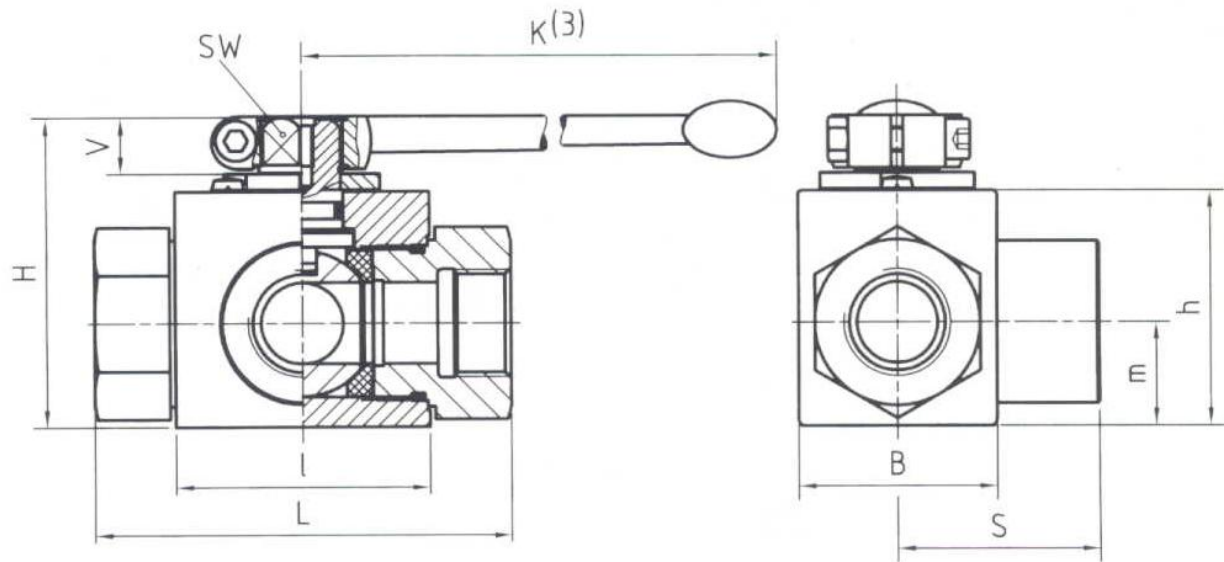


“MP” Hydraulics Ball Valve Block Type



1

Series 040-DN04 to DN25

Body, ball, stem : steel

Fields of application :Hydraulics, particularly in construction industry and agricultural machinery, mining industry, paint industry.(Coating, seats and seals adapted to application)

Female Thread DIN/ISO 228

Type	DN	PN	L	I	B	h	s	d	Weight
BK3-G 1/8	4	315	69	40	26	33	34.5	G1/8	0.4
BK3-G 1/4	6	315	69	40	26	33	34.5	G1/4	0.4
BK3-G 3/8	10	315	72	43	32	38	36	G3/8	0.4
BK3-G 1/2	13	315	83	48	35	40	41.5	G1/2	0.7
BK3-G 5/8	13	315	83	48	35	40	41.5	G5/8	0.7
BK3-G 3/4	20	315	95	62	49	57	47.5	G3/4	1.8
BK3-G 1	25	315	113	66	58	65	56.5	G1	2.1
BK3-G 1 1/4	32	350	111	81	78	84.5	55	G1 1/4	3.4
BK3-G 1 1/2	40	420	130	104	106	106	65	G1 1/2	4.2
BK3-G2	50	350	150	118	116	116	75	G2	6.1

For further information, please feel free to contact Mr,Johnson Kwan on 9236 3957 or Mr Jack Chiu on 6427 5665, thx!